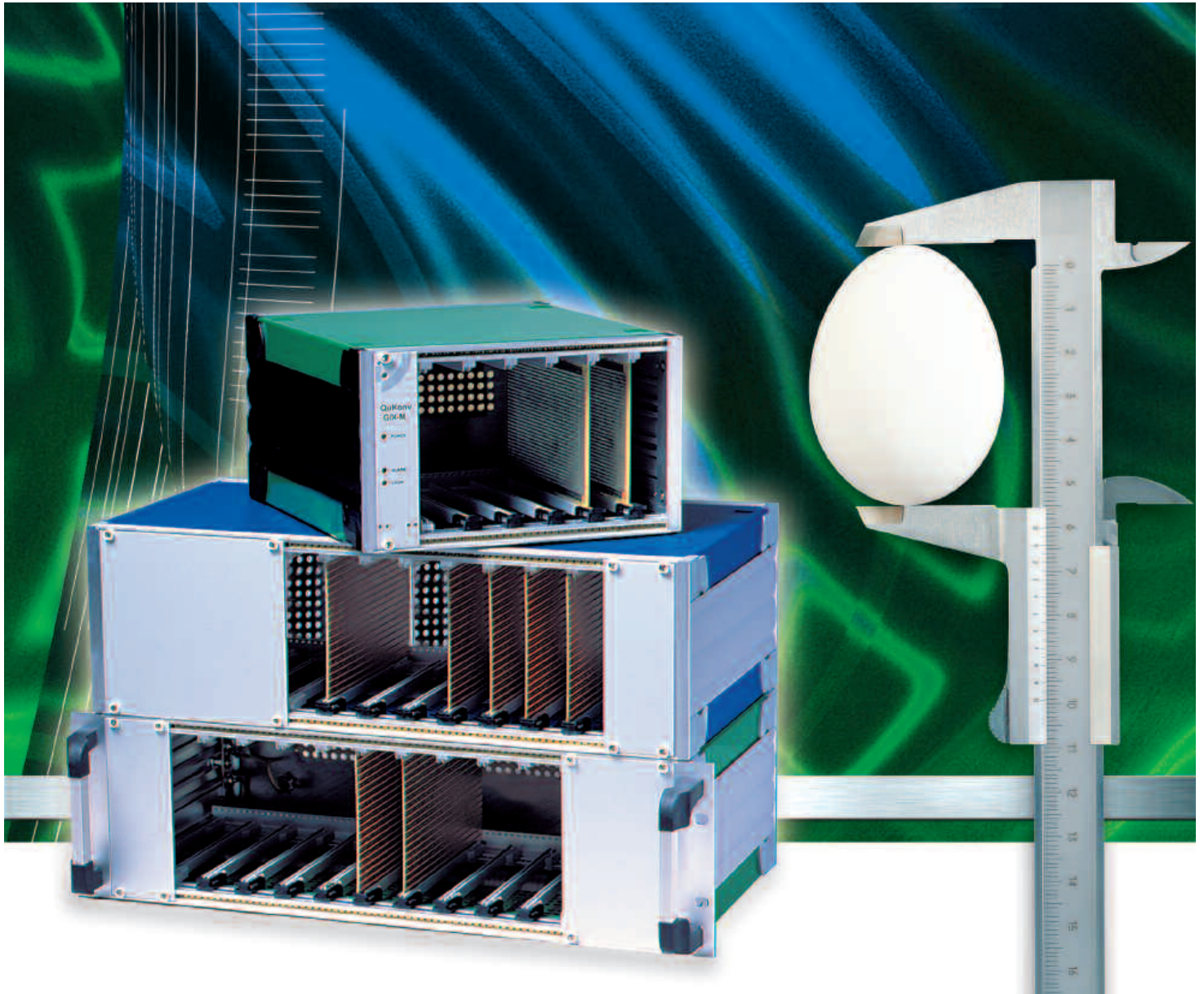


# Enclosure system **profi set 264**



*profi set 264*

*„...the quick-change artist  
among the enclosure systems!“*



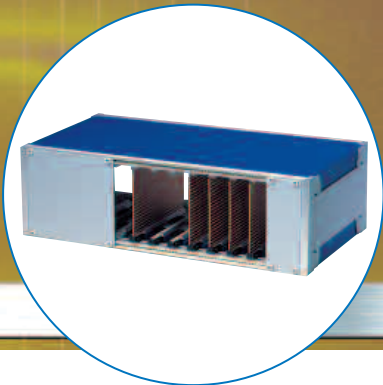
**... the perfect shell for valuable electronics**



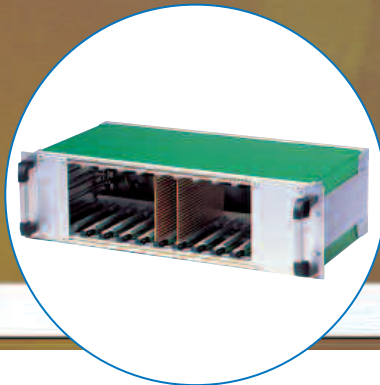
## A real quick-change artist!

*Variable in design, colour and function.*

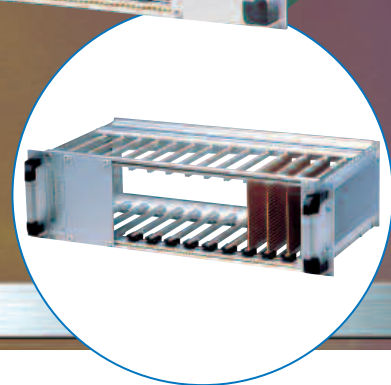
The new profi set 264 offers the perfect shell for your valuable electronics.



Bench case profi set 264



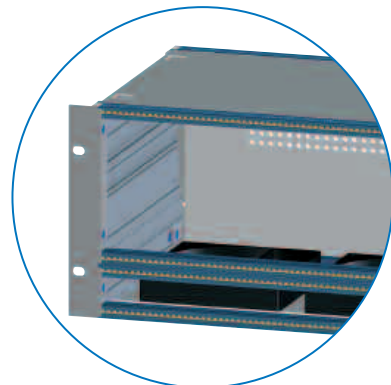
19" plug-in unit profi set 264



19" subrack profi set 264 (on request)

### Enclosure system profi set 264

- universal enclosure system applicable as
  - bench case
  - 19" plug-in unit
  - 19" subrack (on request)
- compact design with a maximum mounting space at minimum external dimensions
- stackable
- easy and incomplex detachable cover plates for mounting or servicing electronics
- decorative aluminium extruded side panels
- depth adjustable module rails of 10 mm steps
- with or without ventilation slots
- EMC shielding possible
- protection class IP20/IP40
- mounting sizes according to IEC 60 297-3-101
- external sizes acc. to IEC 297-1



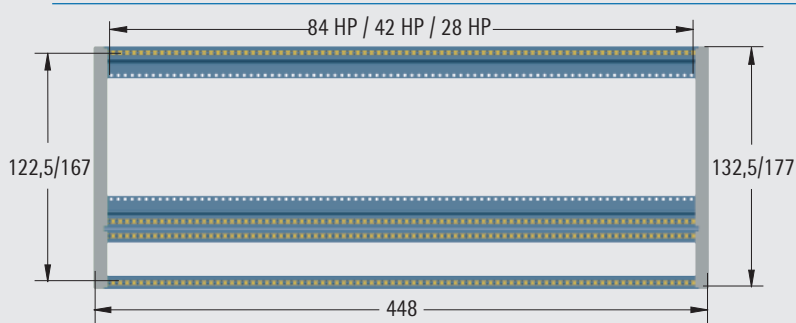
We may configure your individual system solution like 4 U with 3 +1 U mounting and active ventilation on request!



## 264 • Bench case **profi set**



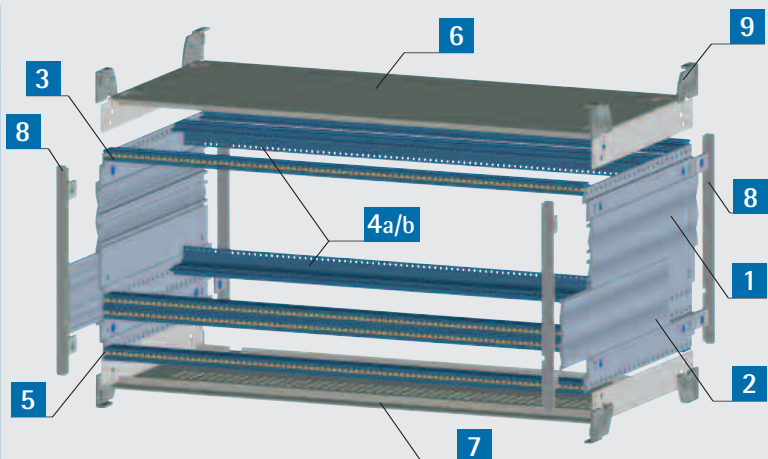
### Technical information



(Example: 4 U)

### Delivery

	Description	3 U	4 U	3 U BUS
1	Side panel	2	2	2
2	Blind cover	-	2	-
3	Module rail 85 HP	4	6	4
4a	Module rail with integrated mounting rail	2	2	-
4b	BUS module rail	-	-	2
5	Threaded strip 85 TE	2	4	2+2
6	Top cover plate without vent.	1	1	1
7	Bottom cover plate with or without ventilation slots	1	1	1
8	Cover brackets	4	4	4
9	Design cover	8	8	8
10	mounting hardware including 4 feet	1 Set	1 Set	1 Set



### Bench case profi set 264

- to take plug-in units acc to IEC 60297-3-101, BUS circuit boards and individual electronic components

### Order data

U	HP	without ventilation slots				with ventilation slots in bottom plate			
		D = 231 mm	D = 271 mm	D = 311 mm	D = 351 mm	D = 231 mm	D = 271 mm	D = 311 mm	D = 351 mm
3	84	26-4311-10	26-4312-10	26-4313-10	26-4314-10	26-4311-20	26-4312-20	26-4313-20	26-4314-20
	42	26-4331-10	26-4332-10	26-4333-10	26-4334-10	26-4331-20	26-4332-20	26-4333-20	26-4334-20
	28	26-4341-10	26-4342-10	26-4343-10	-	26-4341-20	26-4342-20	26-4343-20	-
4	84	26-4411-10	26-4412-10	26-4413-10	26-4414-10	26-4411-20	26-4412-20	26-4413-20	26-4414-20
3 BUS	84	-	26-4312-30	-	26-4314-30	-	26-4312-40	-	26-4314-40

Other sizes or individual colours are available on request!

### Technical information

#### Finish:

top/bottom plate: RAL 7035 light grey  
side panels: RAL 7001 silver grey  
inside chromated

Protection class: IP 20/40

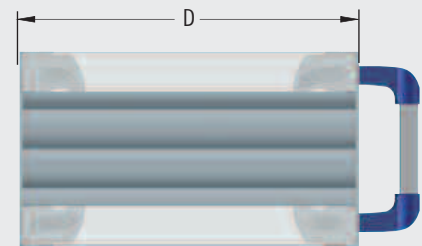
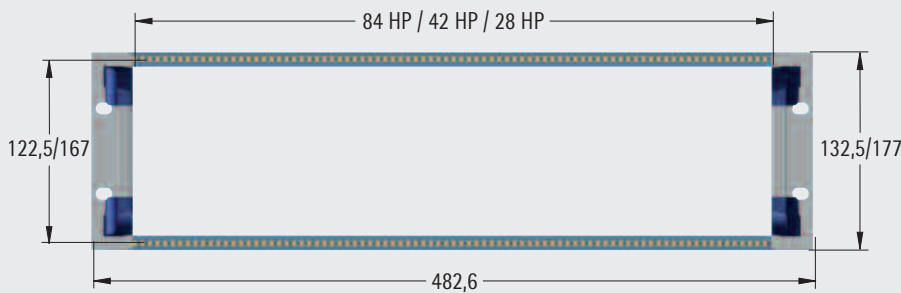
Delivery: in kit form



## 264 • 19" plug-in unit **profi set**



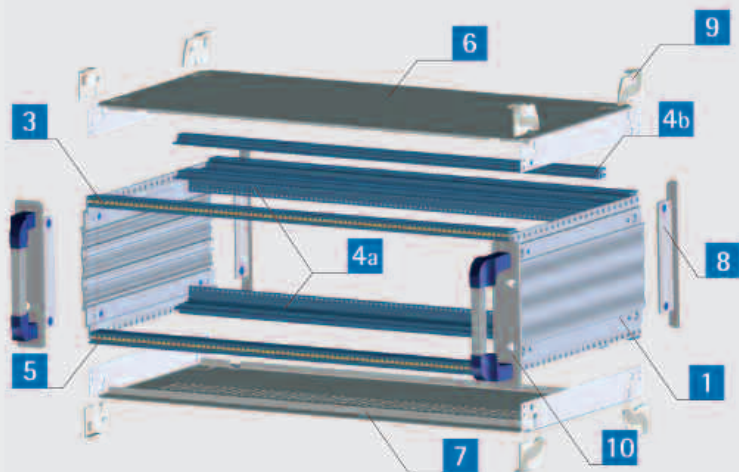
### Technical information



(Example: 3 U)

### Delivery

	Description	3 U	4 U	3 U BUS
1	Side panel	2	2	2
2	Blind cover	-	2	-
3	Module rail 85 HP	4	6	4
4a	Module rail with integrated mounting rail	2	2	-
4b	BUS module rail	-	-	2
5	Threaded strip 85 TE	2	4	2+2
6	Top cover plate without vent.	1	1	1
7	Bottom cover plate with or without ventilation slots	1	1	1
8	Cover brackets	2	4	4
9	Design cover	8	8	8
10	Front bracket with handle	2	2	2
11	Mounting hardware including 4 feet	Set	Set	Set



### 19" plug-in unit **profi set** 264

- to take plug-in units acc to IEC 60297-3-101, BUS circuit boards and individual electronic components

### Technical information

**Finish:**  
top/bottom plate: RAL 7035 light grey  
side panels: RAL 7001 silver grey  
inside chromated

**Protection class:** IP 20/40

**Delivery:** in kit form

### Order data

Size		without ventilation slots			with ventilation slots in bottom plate		
U	HP	D = 271 mm	D = 351 mm	D = 451 mm	D = 271 mm	D = 351 mm	D = 451 mm
3	84	26-4312-50	26-4314-50	26-4315-50	26-4312-60	26-4314-60	26-4315-60
4	84	26-4412-50	26-4414-50	26-4415-50	26-4412-60	26-4414-60	26-4415-60
3							
BUS	84	26-4312-70	26-4314-70	26-4315-70	26-4312-80	26-4314-80	26-4315-80

Other sizes or individual colours are available on request!



### Rear panels



- including mounting material

**Finish:**

RAL 7035 light grey

**Material:**

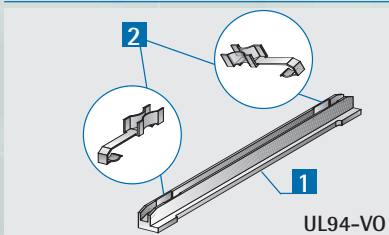
aluminium, inside chromated

**Note:**

EMC rear panels will be supplied with contact springs!

	HP	Rear panel		Rear panel EMC	
		3 U	4 U	3 U	4 U
closed	84	26-4084-43	26-4084-44	26-4584-43	26-4584-44
	42	26-4042-43	26-4042-44	26-4542-43	26-4542-44
	28	26-4028-43	26-4028-44	26-4528-43	26-4528-44
with ventilation slots	84	26-4084-53	26-4084-54	26-4584-53	26-4584-54
	42	26-4042-53	26-4042-54	26-4542-53	26-4542-54
	28	26-4028-53	26-4028-54	26-4528-53	26-4528-54

### Card guides and accessories

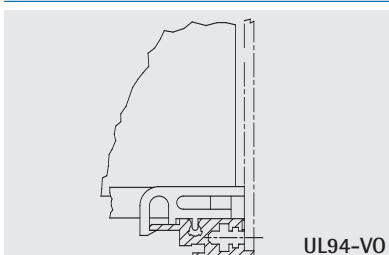


UL94-V0

- for 160 mm and 220 mm long Euro cards
- optionally with contact spring to connect p.c. board and module rail conductively

	Description (50 pc)	Order no.
1	Card guide 160 mm	24-0401-30
1	Card guide 220 mm	24-0406-30
2	Contact spring	24-0400-30

### Card securing device



UL94-V0

- to protect p.c. boards against falling out
- simple snap-in mounting

<b>Order no. (50 pc.)</b>
25-0716-30

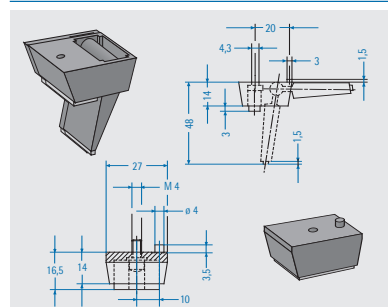
### EMC set



- for belated upgrading of the enclosure to EMC requirements
- self-adhesive resp. snap-in

Enclosure width	Order no. 3 U	Order no. 4 U
84	26-4003-84	26-4004-84
42	26-4003-42	26-4004-42
28	26-4003-28	26-4004-28

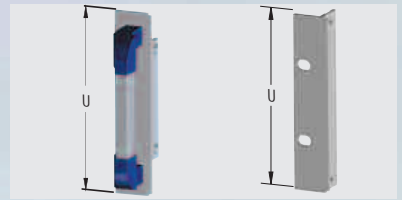
### Prop-up feet



- drill hole to supplement belated

<b>Order no. (set=2 pairs)</b>
615-019

### 19" front bracket with/without handle



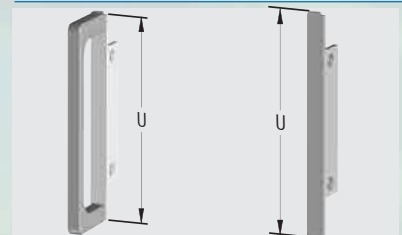
- for extension to 19" plug-in unit or subrack

- including mounting hardware

**Material:** aluminium chromate, handle plastic/aluminium anodised

Description	H mm	Order No. (pair)
3 U without handle	132,5	26-4300-32
3 U with handle	132,5	26-4300-42
4 U without handle	177	26-4400-32
4 U with handle	177	26-4400-42

### Cover bracket with/without handle



- for extension to bench case
- including mounting hardware

**Material:** Aluminium chromated

Description	H mm	Order no. (pair)
3 U without handle	132,5	26-4300-12
3 U with handle	132,5	26-4300-22
4 U without handle	177	26-4400-12
4 U with handle	177	26-4400-22

### Earthing kit 3 U / 4 U



- for ground wiring acc. to VDE regulations

<b>Order no. (set)</b>
26-4000-10



Die apra-gruppe · Le groupe apra · apra-group



apra-norm Elektromechanik GmbH  
Gewerbegebiet · D-54552 Mehren  
Tel.: (0 65 92) 20 4-0 · Fax: (0 65 92) 20 4-100  
[www.apra.de](http://www.apra.de) · [vertrieb@apranorm.apra.de](mailto:vertrieb@apranorm.apra.de)



apra-norm Abteilung radaplast  
Hamsterweg 7 · D-54550 Daun-Pützborn  
Tel.: (0 65 92) 95 02-71 · Fax: (0 65 92) 95 02-70  
[www.radaplast.apra.de](http://www.radaplast.apra.de) · [vertrieb@radaplast.apra.de](mailto:vertrieb@radaplast.apra.de)



apra-gerätebau GmbH & Co.KG Chemnitz  
Südstraße 15 · Gewerbegebiet Süd  
D-09221 Neukirchen  
Tel.: (03 71) 28 12 4-0 · Fax: (03 71) 28 12 4-20  
[www.geraetebau.apra.de](http://www.geraetebau.apra.de) · [vertrieb@geraetebau.apra.de](mailto:vertrieb@geraetebau.apra.de)



apraNET GmbH  
Gewerbegebiet · D-54552 Mehren  
Tel.: (0 65 92) 95 12-0 · Fax: (0 65 92) 95 12-50  
[www.apranet.de](http://www.apranet.de) · [vertrieb@apranet.apra.de](mailto:vertrieb@apranet.apra.de)



apra-norm s.n.c.  
ZA de l'aérodrome · 4, rue Clément Ader · F-67500 Haguenau  
Tel.: 03 88.93.96.96 · Fax: 03 88.93.96.92  
[www.apra-norm.com](http://www.apra-norm.com) · [commercial@snc.apra.de](mailto:commercial@snc.apra.de)



apra-plast Kunststoffgehäuse-Systeme GmbH  
Hamsterweg 9 · D-54550 Daun-Pützborn  
Tel.: (0 65 92) 95 02-0 · Fax: (0 65 92) 95 02-10  
[www.apra-plast.de](http://www.apra-plast.de) · [vertrieb@apra-plast.de](mailto:vertrieb@apra-plast.de)

Ihr Ansprechpartner · Votre correspondant local · Your contact



# Enclosure system **profi set 264, 2 U**

## Variable design, colour and function



- Enclosure system profi set 264: 2 U now also available!
- one basic enclosure - three application possibilities:
  - bench case
  - 19" plug-in case
  - subrack
- cover panels can be easily and simply detached to mount the electronics or for service work
- individual colouring allows for customised design
- ventilated or closed type



### Technical information

#### Application:

To take plug-in devices acc. to IEC 60297-3-101, printed circuit boards and individually composed electronic components.

#### Finish:

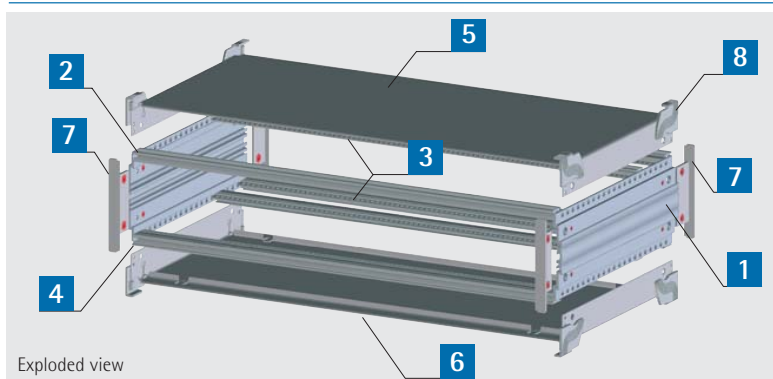
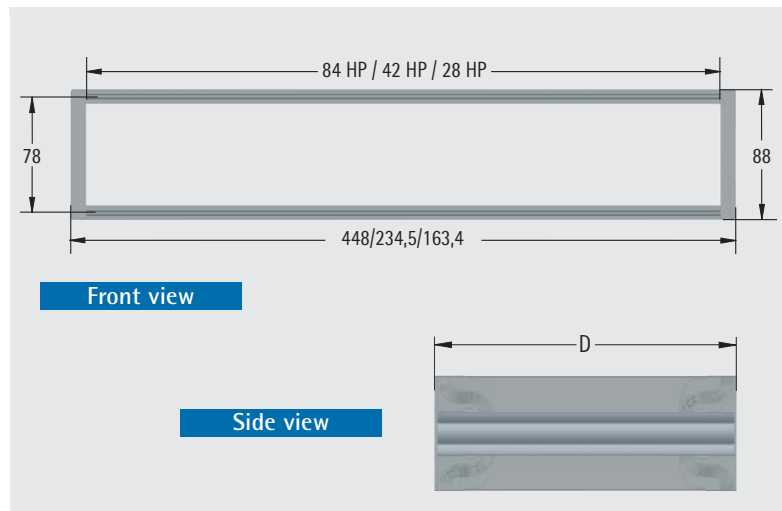
top/bottom shell:  
RAL 7035 light grey  
side panels:  
RAL 7001 silver grey, inside chromated

#### Protection system:

IP 40: closed type  
IP 20: ventilated type

**Delivery:** kit form, unmounted

#### Scope of delivery



Exploded view

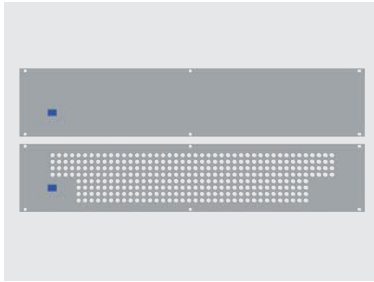
	Description	2 U
1	Side panel	2
2	Module rail	4
3	BUS-module rail	2
4	Threaded strip	2 + 2
5	Top shell, closed	1
6	Bottom shell, ventilated or closed	1
7	Cover bracket	4
8	Cover	8
9	Mounting material	1

### Order data

Dimension		closed type				with ventilated bottom shell			
U	HP	D = 231 mm	D = 271 mm	D = 311 mm	D = 351 mm	D = 231 mm	D = 271 mm	D = 311 mm	D = 351 mm
2	84	264-211-10	264-212-10	264-213-10	264-214-10	264-211-20	264-212-20	264-213-20	264-214-20
	42	264-231-10	264-232-10	264-233-10	264-234-10	264-231-20	264-232-20	264-233-20	264-234-20
	28	264-241-10	264-242-10	264-243-10	264-244-10	264-241-20	264-242-20	264-243-20	264-244-20

Accessories

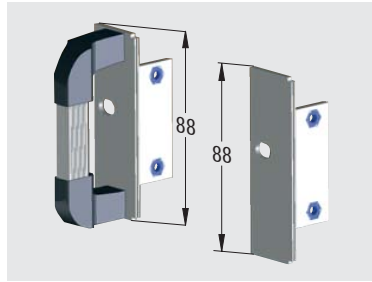
Rear panel



- including mounting material
- Finish:**  
RAL 7035 light grey
- Material:**  
aluminium, inside chromated

Rear panel 2 U		
HP	closed type	ventilated type
84	264-084-42	264-084-52
42	264-042-42	264-042-52
28	264-028-42	264-028-52

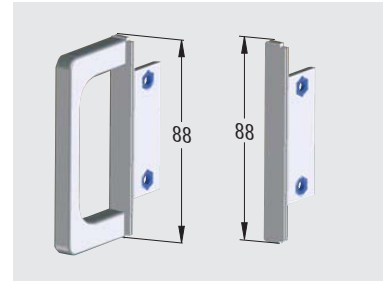
19" front bracket with/without handle



- to build up a 19" plug-in case or a subrack
- including mounting material
- Material:**  
front bracket: aluminium anodised  
handle: plastic/aluminium anodised

Description	H mm	Order no. (pair)
2 U without handle	88	264-200-32
2 U with handle	88	264-200-42

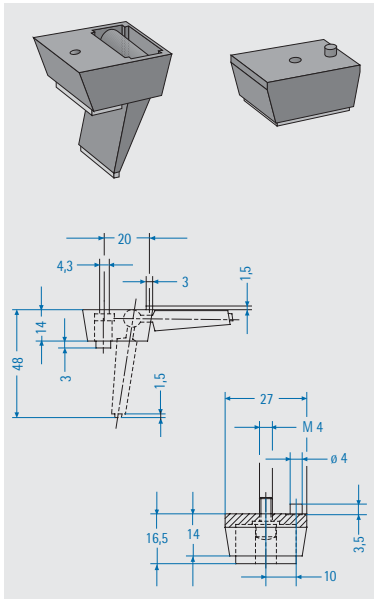
Cover bracket with/without handle



- to build up a bench case
- including mounting material
- Material:**  
cover bracket and handle:  
aluminium anodised

Description	H mm	Order no. (pair)
2 U without handle	88	264-200-12
2 U with handle	88	264-200-22

Prop-up foot



**Note: please retrofit drilling holes!**

Order no. (set = 2 pair)
615-019

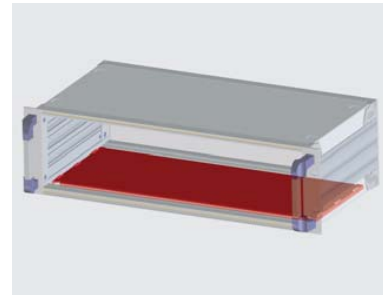
Protective conductor set  
2 U / 3 U / 4 U



- protective earthing conductor acc. to VDE standards (Association of German Electricians)

Order no. (set)
264-000-10

Mounting plate



- for the mounting of individual components

D mm	HP	Order no.
231	84	264-311-96
271	84	264-311-97
311	84	264-311-98
351	84	264-311-99

apra-norm Elektromechanik GmbH

Gewerbegebiet · D-54552 Mehren/Vulkaneifel · Phone: +49 (0) 65 92 204-0 · Fax: +49 (0) 65 92 204-158  
sales@apra.de · www.apra-norm.com

Subject to technical modification

27.11.2009

106



... the perfect shell for valuable electronics